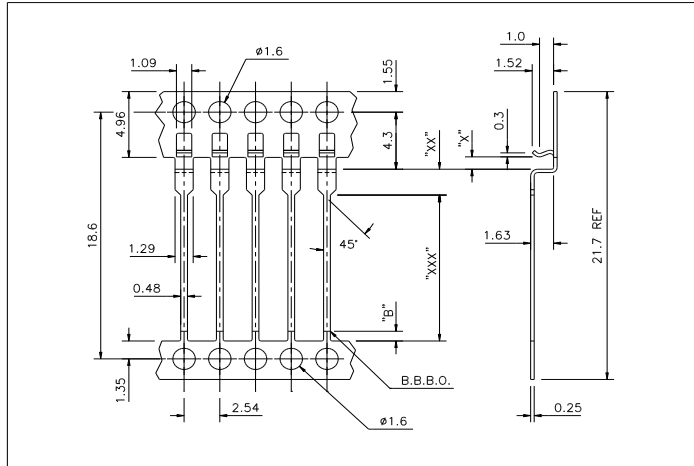


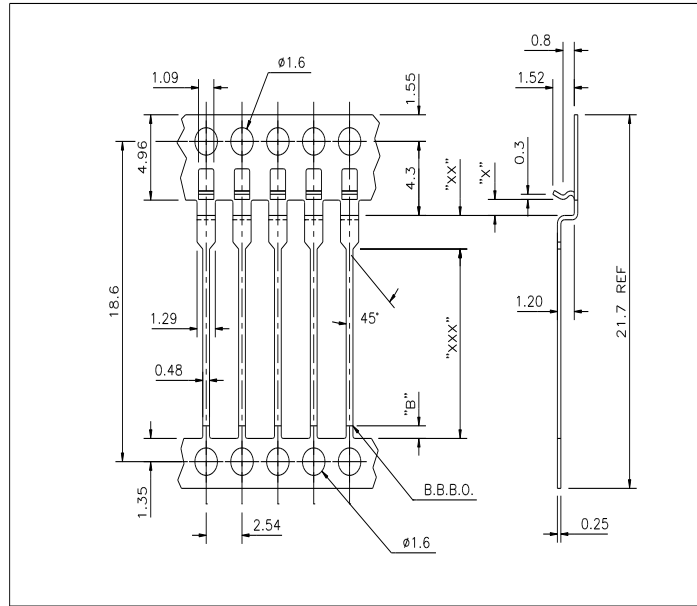
BA 3000 Series



All Dimensions in mm

Ordering Information						Technical Information						
Part Number	Top Bar Dim T	Bottom Bar Dim B	Plating Code	Qty per Reel	Wind Style	Material Thickness	Substrate Size	Gap Size Dim X	Stand Off Dim XX	Pin Length Dim XXX	Clip Length	MOQ
BA3000	none (TZ)	0.73 (BC)	1A/4A	40K (E)	5 to 8	0.25	0.62-0.70	0.56	1.27	11.68	1.52	480,000
BA3001	none (TZ)	0.73 (BC)	1A/4A	40K (E)	5 to 8	0.25	1.00-1.08	0.93	1.27	11.68	1.52	480,000
BA3002	none (TZ)	0.73 (BC)	1A/4A	40K (E)	5 to 8	0.25	1.25-1.34	1.18	1.27	11.68	1.52	480,000
BA3003	none (TZ)	0.73 (BC)	1A/4A	40K (E)	5 to 8	0.25	0.62-0.70	0.56	1.95	11.00	1.52	480,000
BA3004	none (TZ)	0.73 (BC)	1A/4A	40K (E)	5 to 8	0.25	1.00-1.08	0.93	1.95	11.00	1.52	1 Reel
BA3005	none (TZ)	0.73 (BC)	1A/4A	40K (E)	5 to 8	0.25	1.25-1.34	1.18	1.95	11.00	1.52	480,000
BA3006	none (TZ)	0.73 (BC)	1A/4A	40K (E)	5 to 8	0.25	0.62-0.70	0.56	3.30	9.65	1.52	480,000
BA3007	none (TZ)	0.73 (BC)	1A/4A	40K (E)	5 to 8	0.25	1.00-1.08	0.93	3.30	9.65	1.52	480,000
BA3008	none (TZ)	0.73 (BC)	1A/4A	40K (E)	5 to 8	0.25	1.25-1.34	1.18	3.30	9.65	1.52	480,000

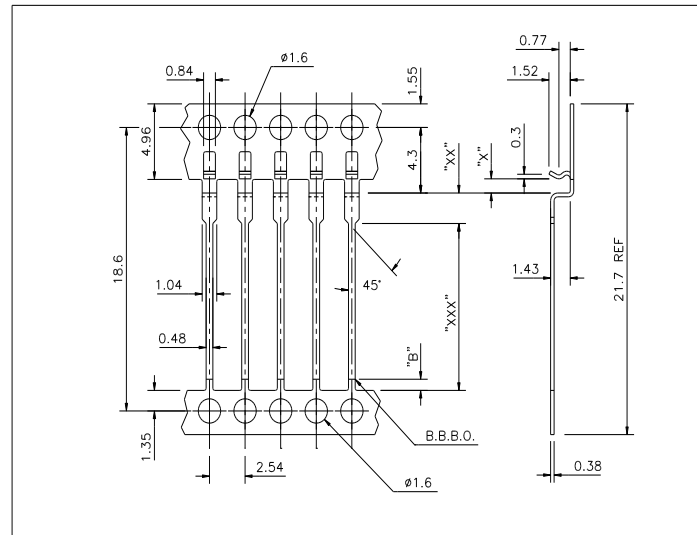
BA 3030 Series



All Dimensions in mm

Ordering Information						Technical Information						
Part Number	Top Bar Dim T	Bottom Bar Dim B	Plating Code	Qty per Reel	Wind Style	Material Thickness	Substrate Size	Gap Size Dim X	Stand Off Dim XX	Pin Length Dim XXX	Clip Length	MOQ
BA3030	none (TZ)	0.73 (BC)	4A	40K (E)	5 to 8	0.25	0.62-0.70	0.56	1.27	11.68	1.52	480,000
BA3031	none (TZ)	0.73 (BC)	4A	40K (E)	5 to 8	0.25	1.00-1.08	0.93	1.27	11.68	1.52	480,000
BA3032	none (TZ)	0.73 (BC)	4A	40K (E)	5 to 8	0.25	1.25-1.34	1.18	1.27	11.68	1.52	480,000
BA3035	none (TZ)	0.73 (BC)	4A	40K (E)	5 to 8	0.25	1.25-1.34	1.18	1.95	11.00	1.52	480,000
BA3039	none (TZ)	0.73 (BC)	4A	40K (E)	5 to 8	0.25	0.62-0.70	0.56	1.95	7.95	1.52	480,000

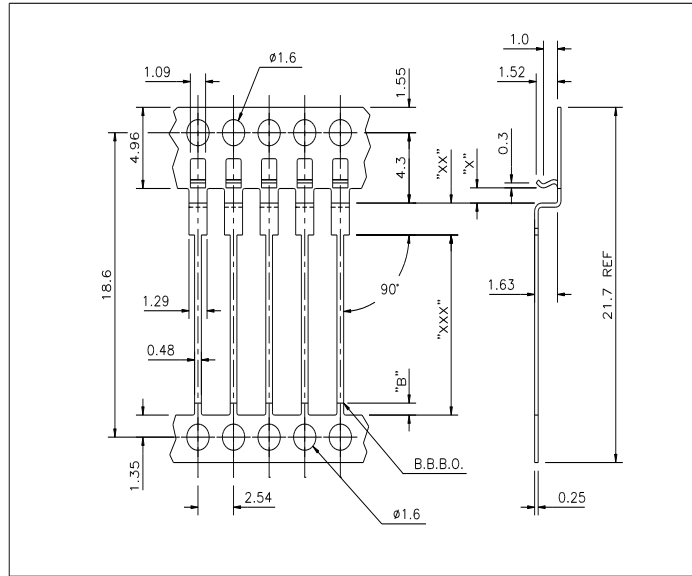
BA 3100 Series



All Dimensions in mm

Ordering Information						Technical Information						
Part Number	Top Bar Dim T	Bottom Bar Dim B	Plating Code	Qty per Reel	Wind Style	Material Thickness	Substrate Size	Gap Size Dim X	Stand Off Dim XX	Pin Length Dim XXX	Clip Length	MOQ
BA3100	none (TZ)	0.73 (BC)	4A	40K (E)	5 to 8	0.38	0.62-0.70	0.56	2.00	11.00	1.52	480,000
BA3101	none (TZ)	0.73 (BC)	4A	40K (E)	5 to 8	0.38	1.00-1.08	0.93	2.00	11.00	1.52	480,000
BA3102	none (TZ)	0.73 (BC)	4A	40K (E)	5 to 8	0.38	1.14-1.22	1.05	2.00	11.00	1.52	480,000

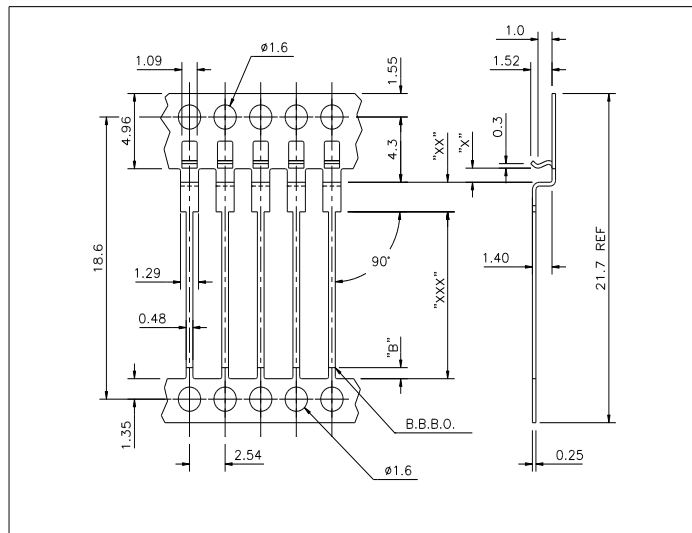
BA 3200 Series



All Dimensions in mm

Ordering Information						Technical Information						
Part Number	Top Bar Dim T	Bottom Bar Dim B	Plating Code	Qty per Reel	Wind Style	Material Thickness	Substrate Size	Gap Size Dim X	Stand Off Dim XX	Pin Length Dim XXX	Clip Length	MOQ
BA3200	none (TZ)	0.73 (BC)	4A	40K (E)	5 to 8	0.25	0.62-0.70	0.56	1.27	11.68	1.52	480,000
BA3203	none (TZ)	0.73 (BC)	4A	40K (E)	5 to 8	0.25	0.62-0.70	0.56	0.61	12.34	1.52	480,000
BA3203	none (TZ)	None (BZ)	4A	40K (E)	5 to 8	0.25	0.62-0.70	0.56	0.61	12.34	1.52	480,000
BA3204	none (TZ)	0.73 (BC)	4A	40K (E)	5 to 8	0.25	1.00-1.08	0.93	0.61	12.34	1.52	480,000

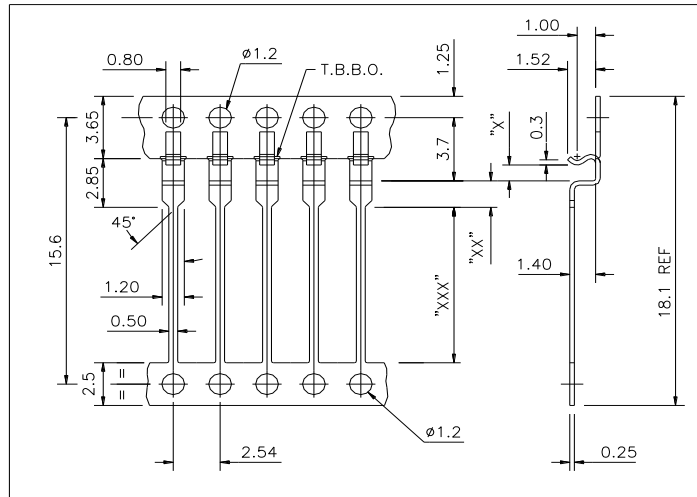
BA 3206 Series



All Dimensions in mm

Ordering Information						Technical Information						
Part Number	Top Bar Dim T	Bottom Bar Dim B	Plating Code	Qty per Reel	Wind Style	Material Thickness	Substrate Size	Gap Size Dim X	Stand Off Dim XX	Pin Length Dim XXX	Clip Length	MOQ
BA3206	none (TZ)	0.73 (BC)	4A	40K (E)	5 to 8	0.25	0.62-0.70	0.56	1.27	11.68	1.52	480,000

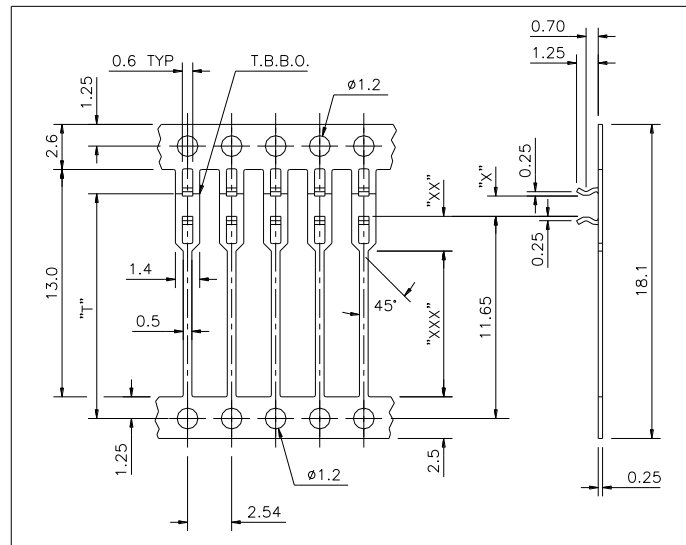
BA 3315 Series



All Dimensions in mm

Ordering Information						Technical Information						
Part Number	Top Bar Dim T	Bottom Bar Dim B	Plating Code	Qty per Reel	Wind Style	Material Thickness	Substrate Size	Gap Size Dim X	Stand Off Dim XX	Pin Length Dim XXX	Clip Length	MOQ
BA3315	12.85 (TY)	None (BZ)	4A	40K (E)	5 to 8	0.25	0.62-0.70	0.56	1.55	9.10	1.52	480,000
BA3316	13.20 (UE)	None (BZ)	4A	40K (E)	5 to 8	0.25	1.00-1.08	0.93	1.55	9.10	1.52	480,000

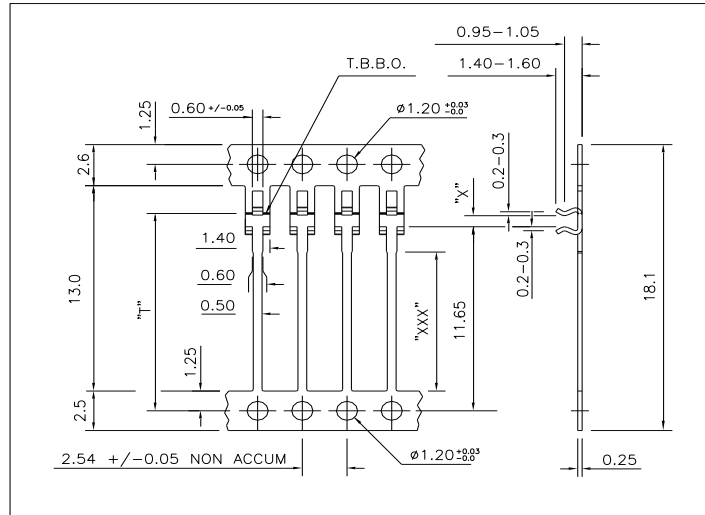
BA 3500 Series



All Dimensions in mm

Ordering Information						Technical Information						
Part Number	Top Bar Dim T	Bottom Bar Dim B	Plating Code	Qty per Reel	Wind Style	Material Thickness	Substrate Size	Gap Size Dim X	Stand Off Dim XX	Pin Length Dim XXX	Clip Length	MOQ
BA3500	12.31 (TE)	none (BZ)	1A / 4A	50K (F)	5 to 8	0.25	0.62-0.70	0.55	2.00	8.40	1.25	1 Reel
	12.31 (TE)	11.60 (BP)	1A / 4A	50K (F)	5 to 8	0.25	0.62-0.70	0.55	2.00	8.40	1.25	1 Reel
BA3501	12.49 (TF)	none (BZ)	1A / 4A	50K (F)	5 to 8	0.25	0.79-0.87	0.71	2.00	8.40	1.25	1 Reel
	12.49 (TF)	11.60 (BP)	1A / 4A	50K (F)	5 to 8	0.25	0.79-0.87	0.71	2.00	8.40	1.25	1 Reel
BA3502	12.70 (TG)	none (BZ)	1A / 4A	50K (F)	5 to 8	0.25	1.00-1.08	0.93	2.00	8.40	1.25	1 Reel
	12.70 (TG)	11.60 (BP)	1A / 4A	50K (F)	5 to 8	0.25	1.00-1.08	0.93	2.00	8.40	1.25	1 Reel
BA3503	12.95 (TH)	none (BZ)	1A / 4A	50K (F)	5 to 8	0.25	1.25-1.32	1.18	2.00	8.40	1.25	500,000
	12.95 (TH)	11.60 (BP)	1A / 4A	50K (F)	5 to 8	0.25	1.25-1.32	1.18	2.00	8.40	1.25	500,000

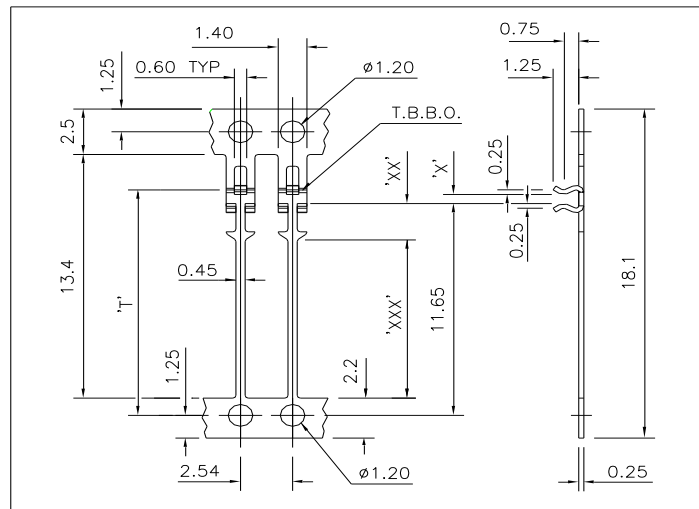
BA 3510 Series



All Dimensions in mm

Ordering Information						Technical Information						
Part Number	Top Bar Dim T	Bottom Bar Dim B	Plating Code	Qty per Reel	Wind Style	Material Thickness	Substrate Size	Gap Size Dim X	Stand Off Dim XX	Pin Length Dim XXX	Clip Length	MOQ
BA3510	12.31 (TE)	none (BZ)	1A / 4A	50K (F)	5 to 8	0.25	0.62-0.70	0.55		8.80	1.25	1 Reel
BA3511	12.49 (TF)	none (BZ)	1A / 4A	50K (F)	5 to 8	0.25	0.79-0.87	0.71		8.80	1.25	500,000
BA3512	12.70 (TG)	none (BZ)	1A / 4A	50K (F)	5 to 8	0.25	1.00-1.08	0.93		8.80	1.25	500,000
BA3513	12.95 (TH)	none (BZ)	1A / 4A	50K (F)	5 to 8	0.25	1.25-1.32	1.18		8.80	1.25	500,000

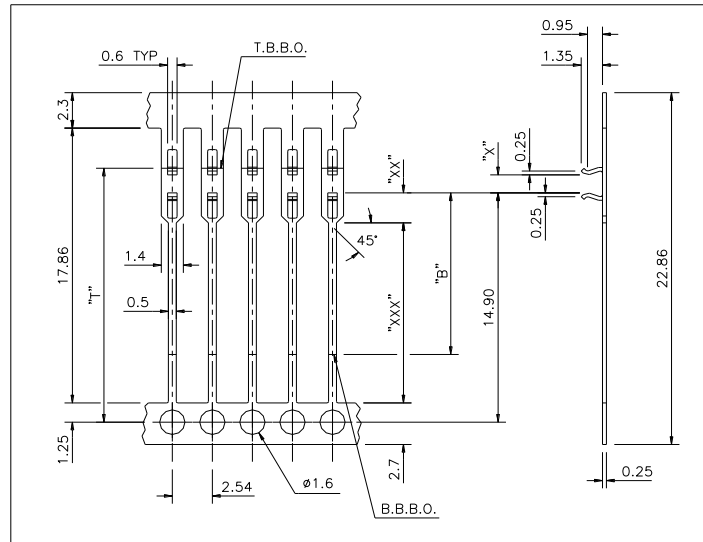
BA 3540 Series



All Dimensions in mm

Ordering Information						Technical Information						
Part Number	Top Bar Dim T	Bottom Bar Dim B	Plating Code	Qty per Reel	Wind Style	Material Thickness	Substrate Size	Gap Size Dim X	Stand Off Dim XX	Pin Length Dim XXX	Clip Length	MOQ
BA3540	12.70 (TG)	none (BZ)	1A / 4A	50K (F)	5 to 8	0.25	0.62-0.70	0.52	2.00	8.70	1.25	500,000

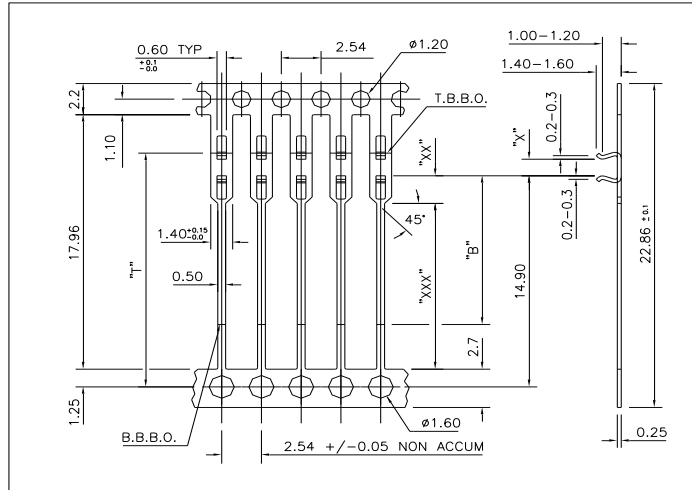
BA 3700 Series



All Dimensions in mm

Ordering Information						Technical Information						MOQ
Part Number	Top Bar Dim T	Bottom Bar Dim B	Plating Code	Qty per Reel	Wind Style	Material Thickness	Substrate Size	Gap Size Dim X	Stand Off Dim XX	Pin Length Dim XXX	Clip Length	
BA3700	15.86 (TM)	none (BZ)	4A	50K (F)	5 to 8	0.25	0.58-0.70	0.54	2.00	11.70	1.35	500,000
	15.86 (TM)	10.50 (BL)	4A	50K (F)	5 to 8	0.25	0.58-0.70	0.54	2.00	11.70	1.35	500,000
BA3701	16.23 (TN)	none (BZ)	4A	50K (F)	5 to 8	0.25	1.00-1.08	0.90	2.00	11.70	1.35	500,000
	16.23 (TN)	10.50 (BL)	4A	50K (F)	5 to 8	0.25	1.00-1.08	0.90	2.00	11.70	1.35	500,000
BA3702	17.53 (TO)	none (BZ)	4A	50K (F)	5 to 8	0.25	2.21-2.34	2.12	2.00	11.70	1.35	500,000
	17.53 (TO)	10.50 (BL)	4A	50K (F)	5 to 8	0.25	2.21-2.34	2.12	2.00	11.70	1.35	500,000
BA3703	18.03 (TR)	none (BZ)	4A	50K (F)	5 to 8	0.25	2.46-2.59	2.37	2.00	11.70	1.35	500,000
	18.03 (TR)	10.50 (BL)	4A	50K (F)	5 to 8	0.25	2.46-2.59	2.37	2.00	11.70	1.35	500,000
BA3704	18.03 (TR)	none (BZ)	4A	50K (F)	5 to 8	0.25	2.71-2.85	2.62	2.00	11.70	1.35	500,000
	18.03 (TR)	10.50 (BL)	4A	50K (F)	5 to 8	0.25	2.71-2.85	2.62	2.00	11.70	1.35	500,000
BA3707	18.22 (TT)	none (BZ)	4A	50K (F)	5 to 8	0.25	3.00-3.10	2.90	2.00	11.70	1.35	500,000
	18.22 (TT)	10.50 (BL)	4A	50K (F)	5 to 8	0.25	3.00-3.10	2.90	2.00	11.70	1.35	500,000

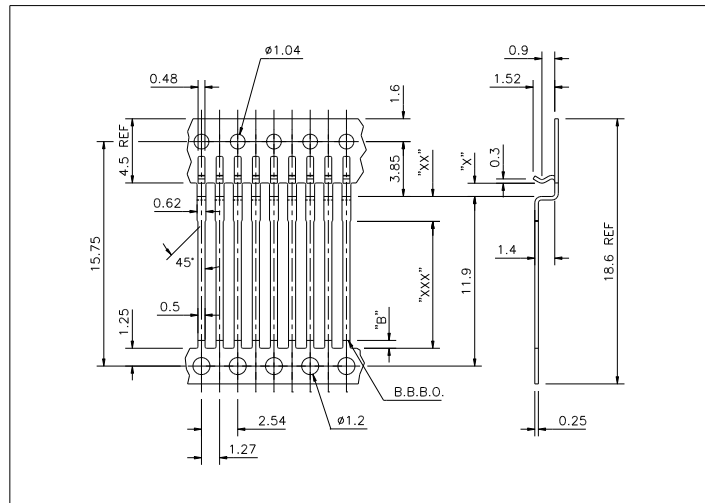
BA 3760 Series



All Dimensions in mm

Ordering Information						Technical Information						
Part Number	Top Bar Dim T	Bottom Bar Dim B	Plating Code	Qty per Reel	Wind Style	Material Thickness	Substrate Size	Gap Size Dim X	Stand Off Dim XX	Pin Length Dim XXX	Clip Length	MOQ
BA3760	16.75 (TU)	none (BZ)	4A	50K (F)	5 to 8	0.25	1.52-1.65	1.42	2.00	11.70	1.25	500,000
	16.75 (TU)	10.50 (BL)	4A	50K (F)	5 to 8	0.25	1.52-1.65	1.42	2.00	11.70	1.25	500,000

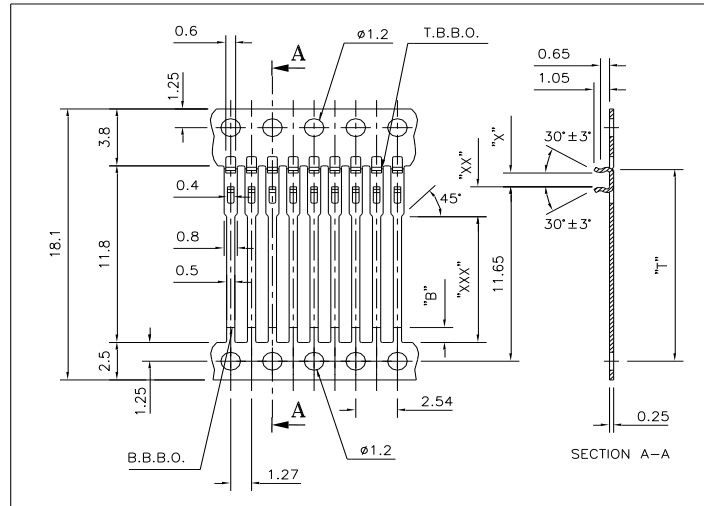
BA 6300 Series



All Dimensions in mm

Ordering Information						Technical Information						
Part Number	Top Bar Dim T	Bottom Bar Dim B	Plating Code	Qty per Reel	Wind Style	Material Thickness	Substrate Size	Gap Size Dim X	Stand Off Dim XX	Pin Length Dim XXX	Clip Length	MOQ
BA6300	none (TZ)	none (BZ)	4A	80K (G)	5 to 8	0.25	0.62-0.70	0.56	1.75	8.90	1.52	480,000
	none (TZ)	0.55 (BJ)	4A	80K (G)	5 to 8	0.25	0.62-0.70	0.56	1.75	8.90	1.52	480,000
BA6301	none (TZ)	none (BZ)	4A	80K (G)	5 to 8	0.25	1.00-1.08	0.56	1.75	8.90	1.52	480,000
	none (TZ)	0.55 (BJ)	4A	80K (G)	5 to 8	0.25	1.00-1.08	0.56	1.75	8.90	1.52	480,000

BA 6600 Series



All Dimensions in mm

Ordering Information						Technical Information						
Part Number	Top Bar Dim T	Bottom Bar Dim B	Plating Code	Qty per Reel	Wind Style	Material Thickness	Substrate Size	Gap Size Dim X	Stand Off Dim XX	Pin Length Dim XXX	Clip Length	MOQ
BA6600	12.49 (TF)	none (BZ)	4A	80K (G)	5 to 8	0.25	0.62-0.68	0.56	2.00	8.40	1.05	480,000
BA6601	12.63(TX)	none (BZ)	4A	80K (G)	5 to 8	0.25	0.77-0.85	0.70	2.00	8.40	1.05	480,000
BA6602	12.85(TY)	none (BZ)	4A	80K (G)	5 to 8	0.25	1.00-1.08	0.92	2.00	8.40	1.05	480,000